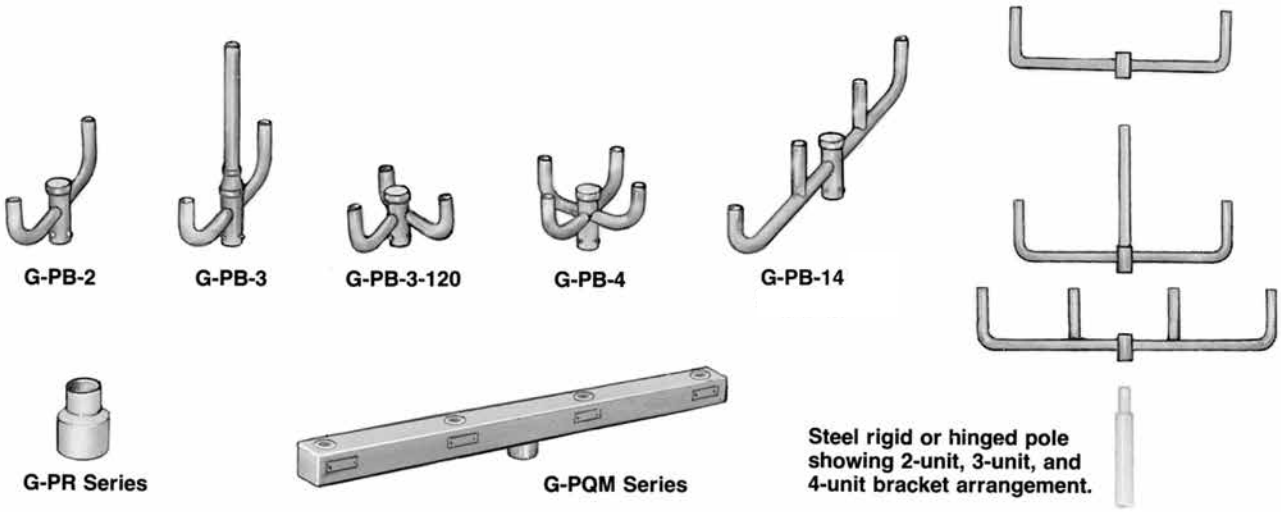


# Floodlight Mounting Brackets

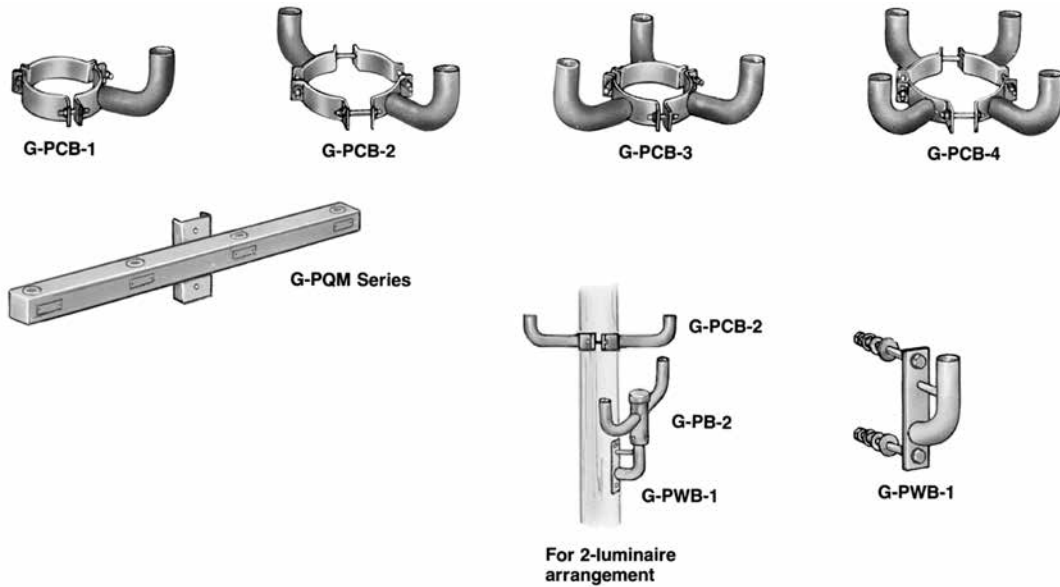
Single or Multiple Installation on Wall, Wood or Metal Poles

NEC/CEC:  
Rated for Ordinary (Unclassified) Locations

## Metal Pole Brackets



## Wood Pole Brackets

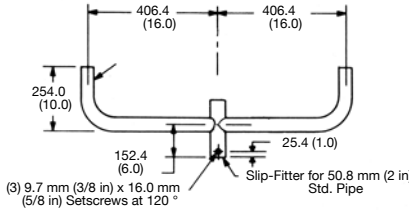
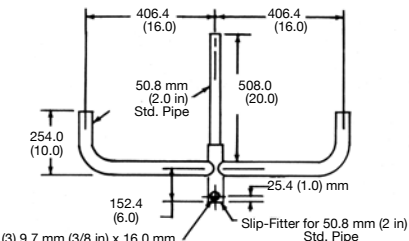
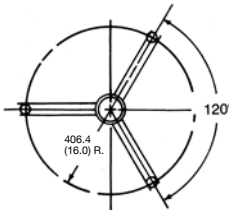
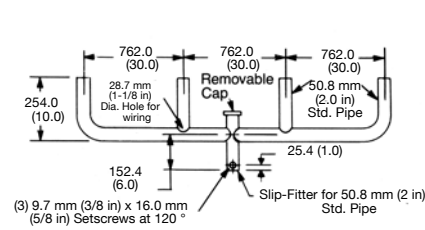
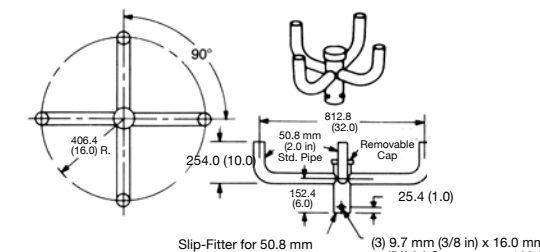


# Floodlight Mounting Brackets

## Single or Multiple Installation on Wall, Wood or Metal Poles

NEC/CEC:  
 Rated for Ordinary (Unclassified) Locations

**Poletop Brackets for Metal Poles — Dimensions may vary. Consult your local sales representative for specifications**  
 Floodlight mounting brackets for installation of 2 to 4 floodlights atop metal poles are manufactured from high-strength steel tube, and slip-fit onto 50.8 mm (2 in) pipe size poletop tenons. Furnished with 3 locking setscrews and red oxide prime coat finish. Bracket tenon is 50.8 mm (2 in) pipe size (60.5 mm 2-3/8 in) O.D.).

Dimensions mm (in)	Description	Catalog Number
	Poletop Bracket for Two Luminaires	<b>G-PB-2</b>
	Poletop Bracket for Three Luminaires	<b>G-PB-3</b>
	Poletop Bracket for Three Luminaires (120° apart)	<b>G-PB-3-120</b>
	Poletop Bracket for Four Luminaires (in line)	<b>G-PB-14</b>
	Poletop Bracket for Four Luminaires	<b>G-PB-4</b>

# Floodlight Mounting Brackets

## Single or Multiple Installation on Wall, Wood or Metal Poles

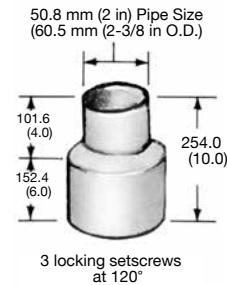
**NEC/CEC:**  
*Rated for Ordinary (Unclassified) Locations*

### Round Poletop Reducers

Made from high strength steel tubing, complete with 3 locking setscrews and finished to match pole (bronze, galvanized).

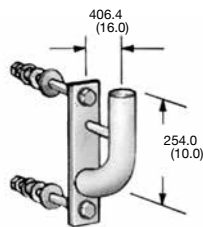
**Dimensions in Millimeters (Inches) – May vary. Consult your local sales representative for specifications**

Poletop Pipe Size Reduction mm (in)	Catalog Number
63.5 to 50.8 (2-1/2 to 2)	<b>G-PR-2-1/2</b>
76.2 to 50.8 (3 to 2)	<b>G-PR-3</b>
88.9 to 50.8 (3-1/2 to 2)	<b>G-PR-3-1/2</b>
101.6 to 50.8 (4 to 2)	<b>G-PR-4</b>
127 to 50.8 (5 to 2)	<b>G-PR-5</b>



### Wall Mounting Brackets

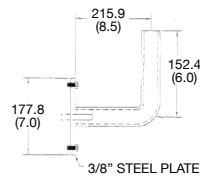
Dimensions mm (in)	Description	Catalog Number
--------------------	-------------	----------------



For Floodlights with 50.8 mm (2 in) Slip-Fitter, or will mount G-PB Series brackets with floodlights.

- Complete with two 330.2 mm (13 in) -long bolts, washers, and nuts.
- Bronze coat finish.

**G-PWB-1**



Used with G-AM-8-SF and GSF-20 to provide a wall mounting option. Galvanized Steel.

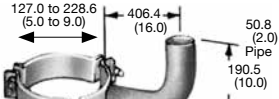
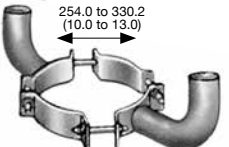
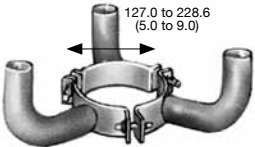
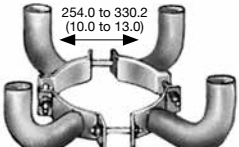
**GPSWB6GAL**

# Floodlight Mounting Brackets

Single or Multiple Installation on Wall, Wood or Metal Poles

NEC/CEC:  
Rated for Ordinary (Unclassified) Locations

Dimensions may vary. Consult your local sales representative for specifications

Dimensions mm (in)	Description	Catalog Number
 <p>127.0 to 228.6 (5.0 to 9.0) 406.4 (16.0) 50.8 (2.0) Pipe 190.5 (10.0)</p>	<b>Wood Pole Clamp Brackets</b>	
	<ul style="list-style-type: none"> <li>Pole clamping floodlight mounting brackets constructed of 50.8 mm (2 in) steel pipe.</li> <li>Furnished complete with clamping bolts and nuts.</li> <li>Has red oxide primer coat finish.</li> <li>For 1 and 3 floodlights—Fits 127.0 mm (5 in) to 228.6 mm (9 in) poles.</li> <li>For 2 and 4 floodlights—Fits 254.0 mm (10 in) to 330.2 mm (13 in) poles.</li> </ul>	
 <p>254.0 to 330.2 (10.0 to 13.0)</p>	1 Arm	<b>G-PCB-1</b>
 <p>127.0 to 228.6 (5.0 to 9.0)</p>	2 Arm	<b>G-PCB-2</b>
 <p>254.0 to 330.2 (10.0 to 13.0)</p>	3 Arm	<b>G-PCB-3</b>
	4 Arm	<b>G-PCB-4</b>

## Lite Mount Bars for 4 Quartzlite or Areamaster Jr. Floodlights

Bars have 11 gauge steel body and 12 gauge steel cover. Two styles: to mount on 50.8 mm (2 in) pipe size poletop tenon, or on wood poles using thru-bolts. Welded construction, with 19.1 mm (3/4 in) N.P.S. tapped hubs.

Number of Fixtures	Length A	Dim. B	Dim C	Dim. D
4	28	—	25	1-1/2

## Dimensions For Mounting Quartzlites or Areamaster Jr.

Number of Fixtures For Mounting	Catalog Number	
	Metal Pole	Wood Pole
4 Fixtures	<b>G-PQM-4T</b>	<b>G-PQM-4W</b>

Dimensions in Millimeters (Inches) — May vary.  
Consult your local sales representative for specifications

